



**SIMEX**  
HEAVY MADE EASY

RANGE

**CT**

## VIBRATING WHEEL COMPACTORS

CT 2.8 BASE

CT 2.8 F.O.

- Extremely precise and versatile
- Maximum operator comfort
- Result: solid, even and well compacted trench bottom



# VIBRATING WHEEL COMPACTORS

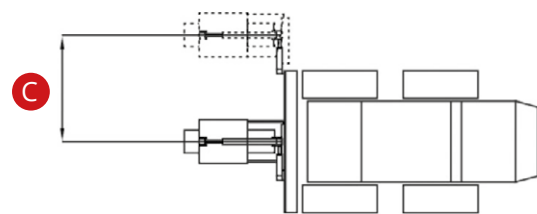
CT 2.8 BASE  
CT 2.8 F.O.



Designed for compacting trench bottoms, Simex CT vibrating wheel compactors guarantee a permanently solid, even and well compacted bottom that ensures maximum road safety.

Perfect insulation from prime mover. Thanks to the reverse-rotation vibrating twin shaft positioned at center of the wheel, vertical forces are added up and horizontal forces are countered for increased operator comfort.

Wheel width can be adjusted via bolted sectors that are easily changed on site. Possibility to mount the rotation allows compaction in any position, even in the most difficult-to-reach areas.



## ADVANTAGES

- Extremely precise and versatile
- Maximum operator comfort
- Result: solid, even and well compacted trench bottom

TECHNICAL DATA		CT 2.8 BASE	CT 2.8 F.O.
Standard wheel			
Width of bolted sectors	mm inch	150 - 200 - 250 - 350 - 400 6 - 8 - 10 - 12 - 14 - 16	150 - 200 - 250 - 350 - 400 6 - 8 - 10 - 12 - 14 - 16
Working depth	mm inch	0 - 700 0 - 27	0 - 700 0 - 27
Special wheels			
Wheel width	mm inch	50 - 100 2 - 4	50 - 100 2 - 4
Working depth	Kg inch	0 - 350 0 - 14	0 - 350 0 - 14
Vibration frequency	Hz	30 - 40	30 - 40
Hydraulic side shift (C)	mm inch	-	1100 43
Hydraulic transversal tilt		-	18°
Max. vertical force	kN lbf	42 9400	42 9400
Operating weight (1)	kg lbs	720 - 770 1500 - 1700	820 - 970 2020 - 2150
Required oil flow	l/min gpm	40 - 50 11 - 13	50 - 70 13 - 18
Max. oil pressure	BAR psi	220 3200	220 3200

(1) User is responsible for ensuring that the characteristics of the prime mover suit the weight and specifications of the attachment. Simex does not accept responsibility or liability for the information provided. Technical modifications may vary without prior notice.

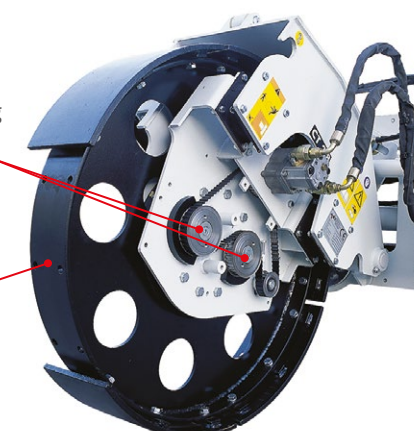


Counter-rotating vibrating double shaft

positioned at center of wheel

Easily replaceable segments

for quick adjustment of compaction wheel width



- Utilities
- Quarries and mines
- Demolition
- Port and underwater works
- Construction and building
- Infrastructure
- Tunneling
- Agriculture and forestry
- Recycling
- Roadworks
- Trenching

- Mini-excavator
- Excavator
- Skid steer loader
- Front loader
- Backhoe